

ECLIPSE CANOPY INSTALLATION HOLES BLANKING KIT ASSEMBLY INSTRUCTIONS

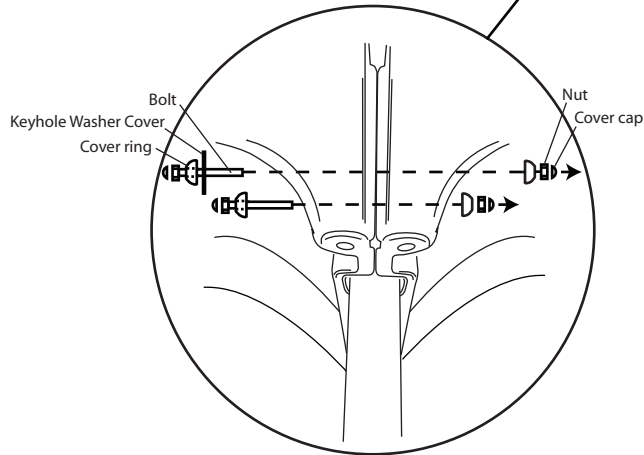
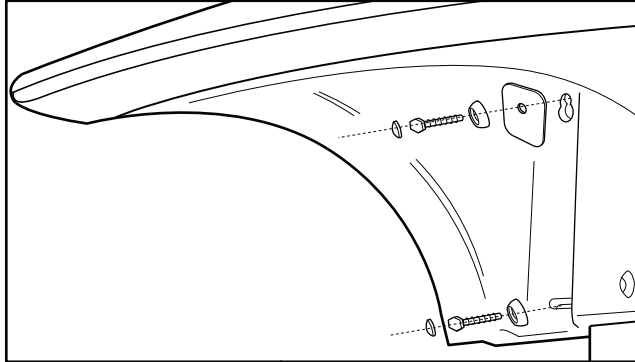
NOTE: A minimum of 3 persons are required for this installation.
Weight of the complete assembly: 86 kg

KIT CONTENTS

2 x M10 x 100mm Bolts
2 x M10 Nyloc Nuts
4 x Cover Ring
4 x Cover Caps
1 x Keyhole Washer Cover

TOOLS REQUIRED

2 x 17mm socket



1. Once the Canopies have been erected place the bolt through the cover ring and then through the keyhole washer cover.

2. Push the bolt through the key shaped fixing hole until it protrudes through both canopies. Insert a cover ring over the bolt and secure with a nyloc nut. Tighten the bolt using a 17mm socket and cover both cover rings with the cover caps to secure the fixings.

3. Repeat steps 1 & 2 (without the Keyhole Washer Cover) to blank the slot shaped fixing hole.

4. Repeat all 3 steps on the attached canopy.

ECLIPSE CANOPY INSTALLATION HOLES BLANKING KIT ASSEMBLY INSTRUCTIONS

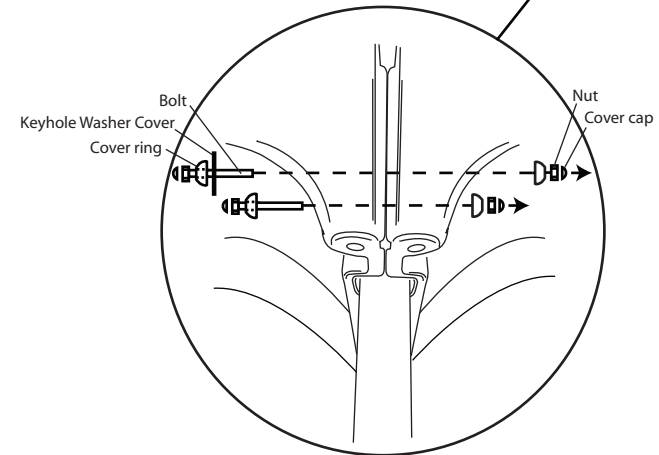
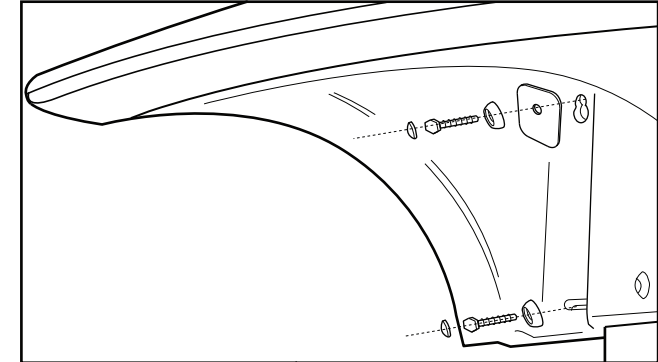
NOTE: A minimum of 3 persons are required for this installation.
Weight of the complete assembly: 86 kg

KIT CONTENTS

2 x M10 x 100mm Bolts
2 x M10 Nyloc Nuts
4 x Cover Ring
4 x Cover Caps
1 x Keyhole Washer Cover

TOOLS REQUIRED

2 x 17mm socket



1. Once the Canopies have been erected place the bolt through the cover ring and then through the keyhole washer cover.

2. Push the bolt through the key shaped fixing hole until it protrudes through both canopies. Insert a cover ring over the bolt and secure with a nyloc nut. Tighten the bolt using a 17mm socket and cover both cover rings with the cover caps to secure the fixings.

3. Repeat steps 1 & 2 (without the Keyhole Washer Cover) to blank the slot shaped fixing hole.

4. Repeat all 3 steps on the attached canopy.